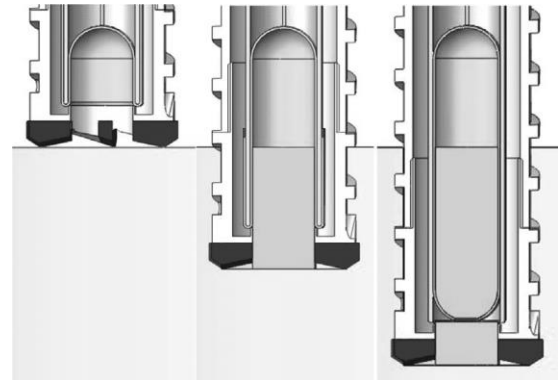
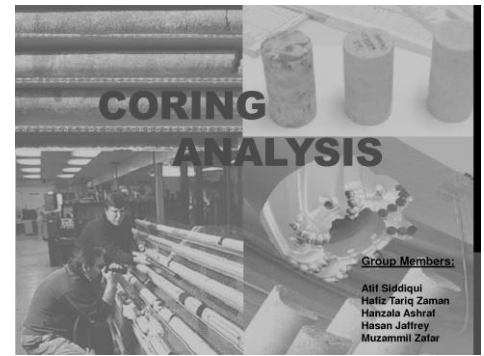


AETC Training Center In Dubai & Regional Center In Kuwait Invite To Participate in 1st International Petroleum Conference: Coring, Wellsite Handling and Conventional Core Analysis

Conference Period
5 Days
From 07/08/2023 To 11/08/2023



Ahmad M. Jouda
Training & Consulting Manager
Regional Center For Management Consulting & Training
Tel. : 00965 22610021 - 00965 99600277 - 00965 99936919
Fax : 00965 22630021
Email : admin@regional4training.com
Website : www.regional4training.com

1st International Petroleum Conference:

Coring, Wellsite Handling and Conventional Core Analysis



Regional Center (Kuwait)

&

AETC Training Center (Dubai)



Conference Introduction

This international conference will give participants a complete overview of the coring process, including core techniques and wellsite handling. Designing a core program, conventional core analysis and an introduction to capillary pressure and saturation height modeling. Day one of this conference will provide participants with an overview of the coring process. The day will continue to cover core equipment and the designing of a coring program. Day two of this conference, participants will learn about wellsite core handling, core sample preparation, core visualization, sample cleaning, drying and an introduction to why wettability is important. The day concludes with an overview over geology properties from the core and mineralogy. Day three of this conference, speakers focus on routine core analysis and standard petrophysical properties related to storage and flow capacity. Day four participants learn about the importance of capillary pressure, fluid-contacts, HAFWL. Day five participants know why core-log integration is important and are introduced to the concept of saturation height modeling.

This international conference covers the following topics:

- Overview of the coring process.
- Designing of a coring program.
- Wellsite core handling, core sample preparation, core visualization, sample cleaning, drying and introduction to why wettability is important.
- Geology properties from the core and mineralogy.
- Conventional core analysis (volumes, porosity and permeability).
- Capillary pressure, fluid-contacts, HAFWL and pore throat radius.
- Core-log integration.
- Introduced to the concept of saturation height modeling.

Conference Target Audience

This special international conference intended for any technical person involved in coring or core analysis.

Conference Major Content

Conference Introduction and Overview Coring Process

Wellsite Core Handling and Core Sample Preparation

Conventional Core Analysis

Introduction to Capillary Pressure (SCAL) and Saturation

Introduction to Core-Log Integration and Saturation Height Modeling

Conference Speakers

Dr Stephen Edwards

Dr Reem Abu Shoug

Dr Mohammad Al Dahouk

Dr Sobha Philips

Eng. Ashraf Al Sherbeni

Eng. Mohamed Ramadan

Conference Details

Conference Period	5 Days
Conference Date	07/08/2023 To 11/08/2023
Conference Place	UAE - Dubai - Radisson Blu Hotel, Dubai Media City
Conference Fees	2750 USD

For More Details Please Contact Our Consulting Department

(Day 1) – 07 Aug. 2023

<i>Time</i>	<i>Event</i>		<i>Speaker</i>
	<i>Main Points</i>	<i>Sub-Points</i>	
8:00 - 8:45 am	Registration and Continental Breakfast.		Conference Coordinator
8:45 - 9:00 am	Welcome and conference introduction.		Dr. Waleed Al-Shwwa (Executive Director)
9:00 - 12:00 am	Conference Introduction and Overview Coring Process	<ul style="list-style-type: none"> – Introduction, set conference objectives. – Why core data is important. – Coring process and options. 	Dr Stephen Edwards
12:00 - 12:30 pm	Coffee Break Time.		
12:30 - 15:30 pm	Conference Introduction and Overview Coring Process	<ul style="list-style-type: none"> – Core equipment. – Designing a coring program. – Determining net mean stress and stress conditions for lab measurements. 	Dr Reem Abu Shoug
15:30 - 16:00 pm	Questions & Discussion.		
16:00 pm	Buffet Lunch Time.		

(Day 2) – 08 Aug. 2023

<i>Time</i>	<i>Event</i>		<i>Speaker</i>
	<i>Main Points</i>	<i>Sub-Points</i>	
8:15 - 9:00 am	Buffet Breakfast Time.		
9:00 - 12:00 am	Wellsite Core Handling and Core Sample Preparation	<ul style="list-style-type: none"> – Wellsite core handling – Core sample preparation – Core visualization CT-Scan, Core Gamma Ray and Slabbing 	Dr Sobha Philips
12:00 - 12:30 pm	Coffee Break Time.		
12:30 - 15:30 pm	Wellsite Core Handling and Core Sample Preparation	<ul style="list-style-type: none"> – Core cleaning (removing drilling fluids, hydrocarbons, water and salt) – Core drying methods – Wettability concerns – Core lithology, geology and mineralogy – Introduction core analysis 	Dr Mohammad Al Dahouk
15:30 - 16:00 pm	Questions & Discussion.		
16:00 pm	Buffet Lunch Time.		

(Day 3) – 09 Aug. 2023

Time	Event		Speaker
	Main Points	Sub-Points	
8:15 - 9:00 am	Buffet Breakfast Time.		
9:00 - 12:00 am	Conventional Core Analysis	<ul style="list-style-type: none"> – Porosity and why it is important – Bulk volume - measurement options – Pore volume - measurement options 	Dr Stephen Edwards
12:00 - 12:30 pm	Coffee Break Time.		
12:30 - 15:30 pm	Conventional Core Analysis	<ul style="list-style-type: none"> – Grain volume - measurement options – Total porosity - why it is important – Effective porosity - why it is important – Conventional Core Analysis Porosity based 	Eng. Ashraf Al Sherbeni
15:30 - 16:00 pm	Questions & Discussion.		
16:00 pm	Buffet Lunch Time.		

(Day 4) – 10 Aug. 2023

Time	Event		Speaker
	Main Points	Sub-Points	
8:15 - 9:00 am	Buffet Breakfast Time.		
9:00 - 12:00 am	Introduction to Capillary Pressure (SCAL) and Saturation	<ul style="list-style-type: none"> – Determining fluid saturation in conventional core analysis – Introduction to special core analysis (SCAL) – What is capillary pressure 	Dr Mohammad Al Dahouk
12:00 - 12:30 pm	Coffee Break Time.		
12:30 - 15:30 pm	Introduction to Capillary Pressure (SCAL) and Saturation	<ul style="list-style-type: none"> – Defining pore throat radius, free-water level and fluid contacts – Capillary Pressure workshop – Defining height above free water level (HAFWL) 	Eng. Mohamed Ramadan
15:30 - 16:00 pm	Questions & Discussion.		
16:00 pm	Buffet Lunch Time.		

(Day 5) – 11 Aug. 2023

Time	Event		Speaker
	Main Points	Sub-Points	
8:15 - 9:00 am	Buffet Breakfast Time.		
9:00 - 12:00 am	Introduction to Core-Log Integration and Saturation Height Modeling	<ul style="list-style-type: none"> – Introduction core-log integration (Lithology, Porosity, Permeability and Fluid Saturation) – Introduction to 3-Line log quicklook method 	Dr Reem Abu Shoug
12:00 - 12:30 pm	Coffee Break Time.		
12:30 - 15:30 pm	Introduction to Core-Log Integration and Saturation Height Modeling	<ul style="list-style-type: none"> – Well Log (video) – Introduction to Saturation Height Model (Excel) – Saturation Height Model (Excel) 	Eng. Ashraf Al Sherbeni
15:30 - 16:00 pm	Conclusion the Conference and Processing For Practical & Workshop.		
16:00 pm	Buffet Lunch Time.		

*With Best Regards From Regional Center for
Management Consulting & Training*